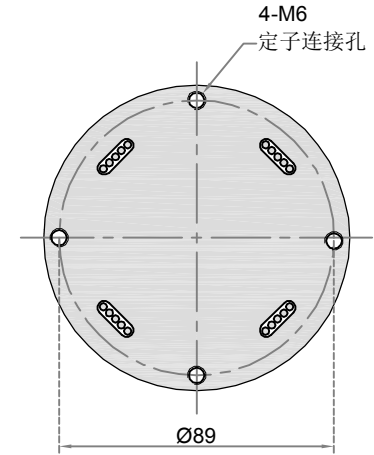
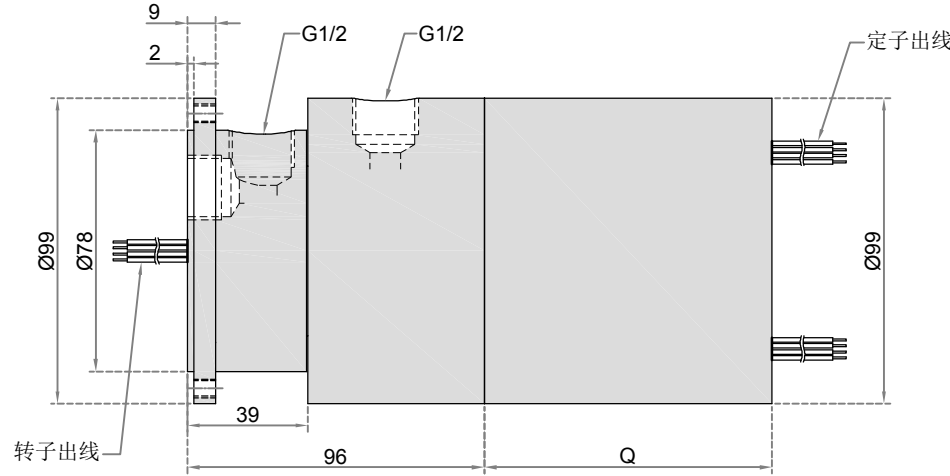
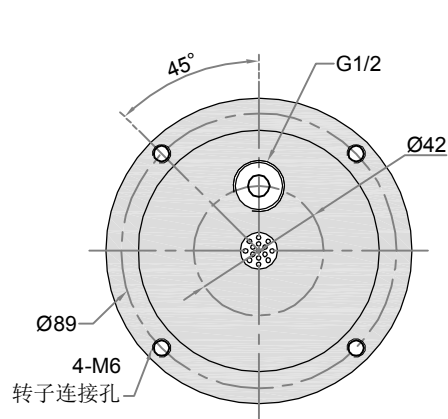


SHEET1

Rev:	Date:	By	Chk	Description
A.1	9/18/12	PJE	RAW	EC0 0045
A.2	10/06/12	JWW	PJE	EC0 0192



技术参数:
 最高转速:300RPM 最大压力:10Bar 最高温度: 125° C
 气通路: 1路 标准电通路: 6~60路 (电通路数量可)
 标准电流2A/5A(可定大电流)
 标准产品: 只可以通电流普通信号 (USB CC-LINK、EtherCAT、EnterBUS、CanBUS、ProfiBUS、ProfiNET、DeviceNet、RS422、RS485、PLC等)
 额定电压:0~440VAC/VDC 绝缘电阻≥1000MΩ/500VDC
 导线规格:AWG16#镀锡铁氟龙/AWG22#镀锡铁氟龙
 绝缘强度:500VAC@50Hz, 60s
 导线长度:标准长度300mm (可据要求调整)
 动态电阻变化值<0.01Ω 接触材料:贵金属
 防护等级:IP51

型号规格	电流	电通路数	Q长度mm
MFQD112-S0605	5A	6通路	36mm
MFQD112-S01205	5A	12通路	66mm
MFQD112-S01802	2A	18通路	66mm
MFQD112-S02402	2A	24通路	66mm
MFQD112-S03602	2A	36通路	71mm
MFQD112-S05602	2A	56通路	91mm

型号规格	电流	电通路数	Q长度mm
MFQD112-S01805	5A	18通路	93mm
MFQD112-S02405	5A	24通路	110mm
MFQD112-S03005	5A	30通路	127mm
MFQD112-S03605	5A	36通路	147mm
MFQD112-S04205	5A	42通路	167mm
MFQD112-S04805	5A	48通路	182mm
MFQD112-S06005	5A	60通路	227mm

Drawn	JSM	6/2/03
Checked	PJE	13/43/05
Checked	PJE	11/36/08

TOLERANCE
 EXCEPT AS NOTED
 x.x ± 0.125
 x.xx ± 0.15
 x.xxx ± 0.005
 ANGLES ± 0.5°

HIDNEY

深圳市欣德利机电设备有限公司
 TEL:0755-27222664

CUSTOMER APPROVAL/DATE:

SHAFT MEL/PLTING:
 CARBON STL
 94-62 RC
 BLK OXIDE

CUSTOMER:

STOCK

THIS DOCUMENT CONTAINS INFORMATION WHICH IS PROPRIETARY TO DYNAMIC SEALING TECHNOLOGIES, INC (HIDNEY). NO REPRODUCTION OR PUBLICATION OF THIS DOCUMENT OR ITS CONTENTS, IN WHOLE OR PART SHALL BE MADE WITHOUT THE WRITTEN CONSENT FROM HIDNEY.

SHAFT MEL/PLTING:
 CARBON STL
 BLK OXIDE

P/N:

REV:

A 4

THIRD ANGLE PROJECTION:

